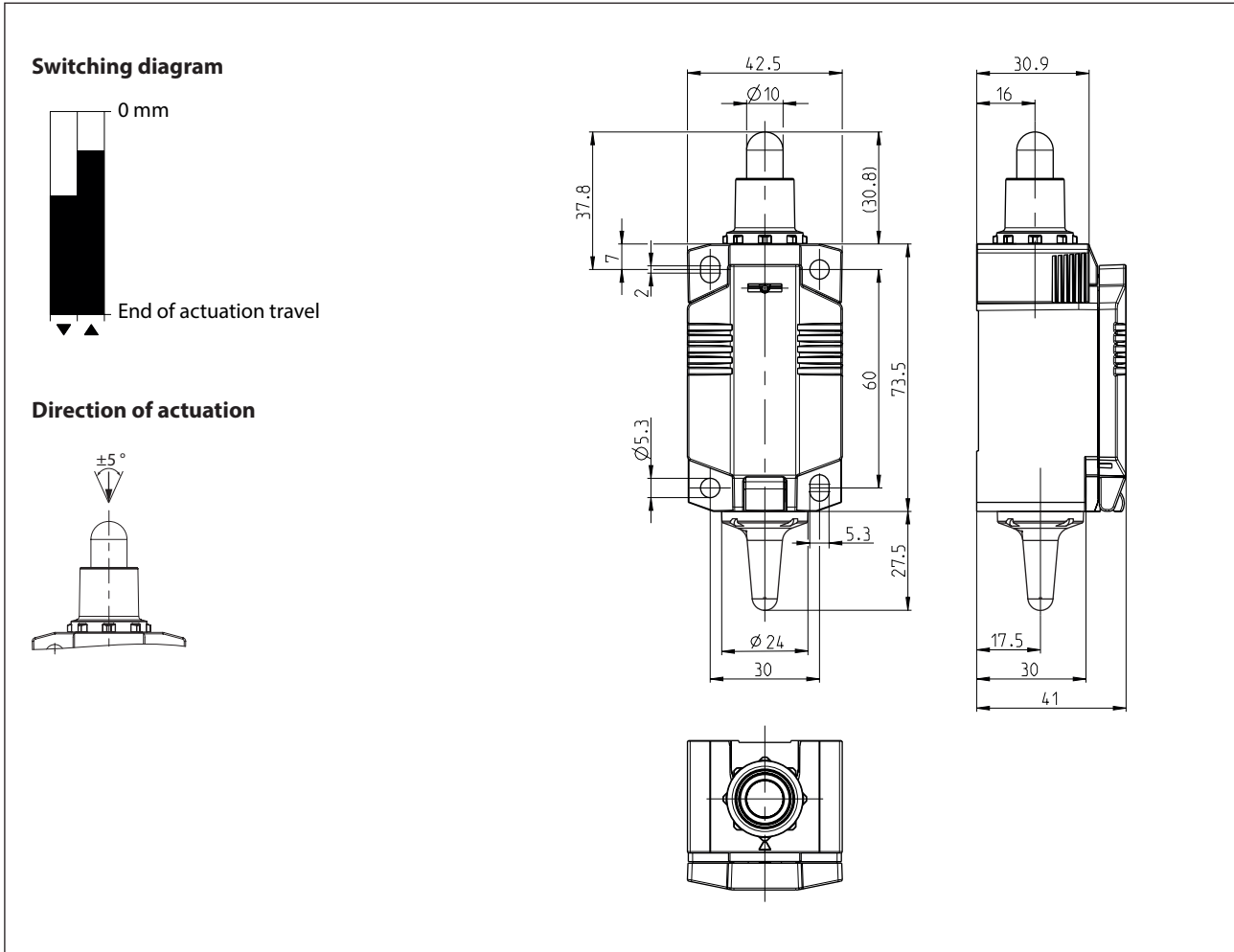


**Plastic bodied limit switch**  
Series IN73

Description **IN73-868 SM**

Article number **6081000139**



**Operating data**

Voltage supply	Electrodynamic energy generator (energy harvesting)
Transmission protocol	EnOcean 868 MHz
Typical operating distances	approximately 80 meters in open space without obstacles approximately 20 meters in industrial environments with structural obstacles

<b>Mechanical data</b>	
Enclosure	Thermoplastic, glass fibre reinforced (UL 94-V0, colour: black))
Cover	Thermoplastic, glass fibre reinforced (UL 94-V0, colour: black))
Actuator	Plunger (Steel, nickel)
Ambient air temperature	-15 °C ... +70 °C
Storage temperature	-30 °C ... +80 °C
Mechanical life	1 x 10 <sup>6</sup> operating cycles
Weight	≈ 0,11 kg
Protection type	IP66 / IP67 acc. EN 60529, Type 4X – Indoor Use only
Installation position	operator definable

<b>Switching frequency depending on the receiver</b>	
3600 cycles / hour	1 transmitter signal per relay output of the receiver
1800 cycles / hour	2 to 28 simultaneous transmitter signals per relay output of the receiver
720 cycles / hour	1 transmitter per relay output of the receiver in two-stage mode

<b>Standards</b>	
	IEC 60947-5-1
	EN 60947-5-1

<b>EU Conformity</b>	
	acc. to directive 2014/53/EU (RED-directive)